

INSTALLATION MANUAL

CLIPP TONNO COVER: SHORT BED, CREW CAB

Parts Included in the Assembly:

Item	Description	Qty
1	Tonno Tarp	01
2	Side rail	02
3	Front rail	01
4	Rear Bar	01
5	Front Crossbow	01
6	Central Crossbow	01
7	Rear Crossbow	01
8	Clamp assembly	06
9	Corner	04
10	Setting Knob	04

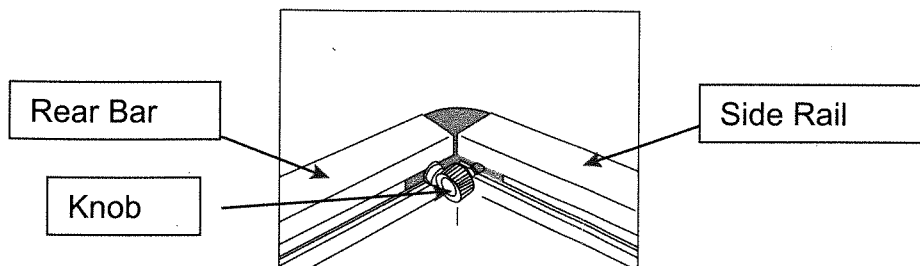
*short bed covers use 6 clamps and 3 bows. Crew cab covers use 4 clamps and 2 bows

REQUIRED TOOLS:

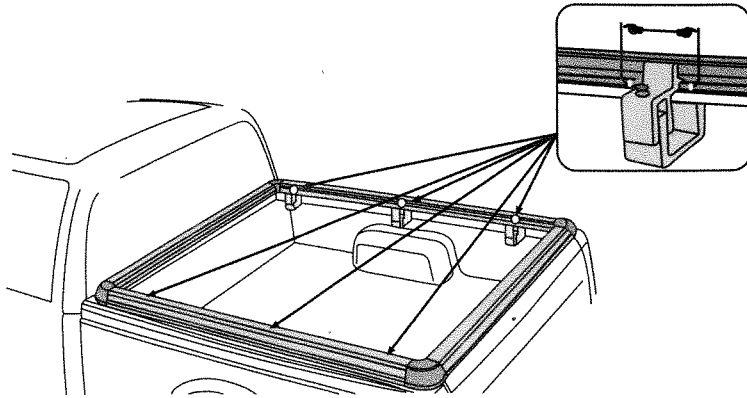
1 Allen wrench 3/16

STEPS:

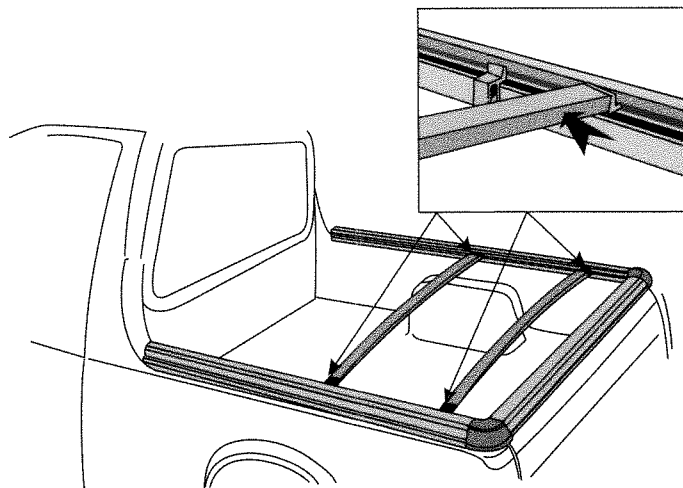
1. Check contents of carton with the list above
2. Start assembly of frame by inserting rear bar (item 5) into the side rails (item 2), and tightening the knobs. (Pay attention to the position of the knobs in the picture below). Insert the front rail (item 3) and tighten screws.



3. Place the frame on the bed, and insert the clamps (item 8) inside the side rail inner groves. Distribute evenly the clamps on each side of the cover. (see picture) Tighten the clamps with the Allen wrench.

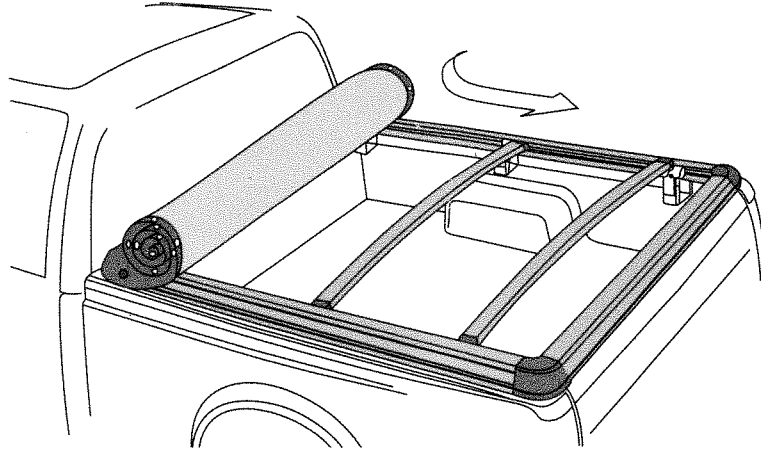


4. Insert the cover crossbows (items 5,6 & 7) in the groves of the side rails, as in the picture below. Position of the bows is defined by cut-outs in the rails.



NOTE: bows may have different lengths. In this case they will be identified with tags (front, middle, rear)

5. Place the tarp over the frame, and start to snap it down from the front rail. Next, snap the fasteners on the rear corners. Snap the other fasteners. (In the initial installation, sometimes it is necessary to pull the tarp to snap it down)



WARNING ?CARE OF THE TRUCKTEC COVER TARP

- a) do not use cleaners for plastics or de tergents. Clean the tarp with neutral soap and water
- b) do not travel with the vehicle wi th the tarp unsnapped: the wind will quickly damage it, and warranty will be void